

# Sanitary, Low-Flow Cleaning

## Toftejorg SaniMidget Rotary Spray Head

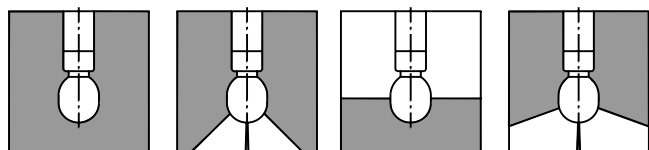
### Application

The Toftejorg SaniMidget is an efficient replacement for traditional static spray balls as it uses low volumes of liquid at low pressure. The device, particularly well-suited to sanitary applications, can be used in tanks ranging from 0.1 to 10 m<sup>3</sup> (27 to 2,700 US gallons). Application and optimal positioning assistance is available in CAD format.

### Working Principle

The flow of the cleaning media causes the head of the Toftejorg SaniMidget to rotate, with fan jets laying out a swirling pattern throughout the vessel. This generates a vibrating impact and cascading flow that covers all internal surfaces of the tank or reactor. The device's self-cleaning feature is achieved by directing the cleaning media through the rotating bearing track and onto the neck of the elongated head.

### Spray Pattern



### Standard Design

As standard documentation, the Toftejorg SaniMidget can be supplied with a "Declaration of Conformity" for material specifications or 3.1.B certification for metallic parts. The device is available in hastelloy C22 (balls in hastelloy C276/PTFE) with 3.1.B certification for metallic parts.

### Materials

Inlet connections:	1.4404 (316L)
Bearing race parts:	SAF 2205 (UNS31803)
Balls:	1.4401 (316)/PTFE*
Head:	1.4404 (316L)

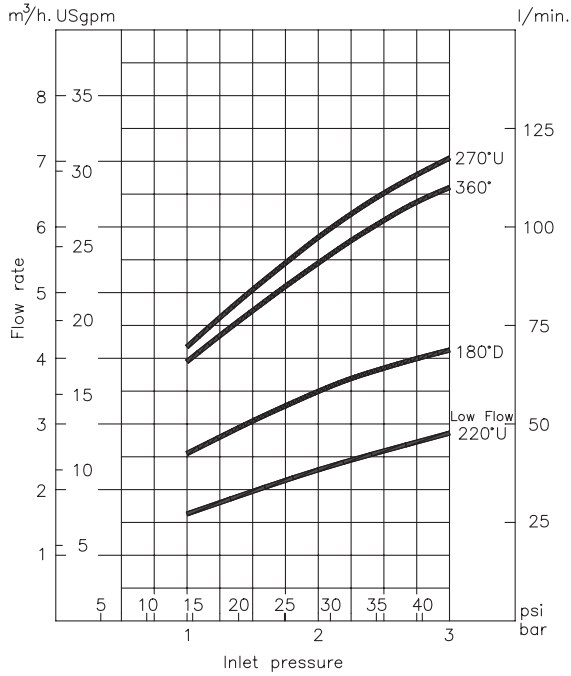
(\*FDA approved 21 CFR § 177.1550)



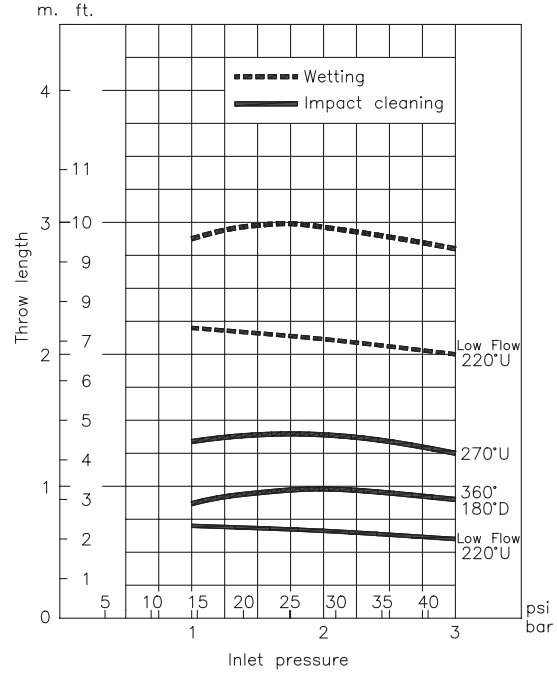
### Technical Data

Weight:	Thread and clip-on: 0.30 kg (0.66 lbs) On pipe: 0.55/0.90 kg (1.21/1.98 lbs)
Lubricant:	Self-lubricating with the cleaning fluid
Working pressure:	1 - 3 bar (14.5 - 44 psi)
Recommended pressure:	2 bar (29 psi)
Max. working temperature:	95 °C (203 °F)
Max. ambient temperature:	140 °C (284 °F)
Wetting radius:	Max. 3 m (10 ft)
Impact cleaning radius:	Max. effective 1.4 m (4 ft)
Connections:	1/2" or 3/4" BSP or NPT thread Clip-on or weld-on for pipe: ISO2037, ASTM A270, BS4825 part 1 or DIN 11.850

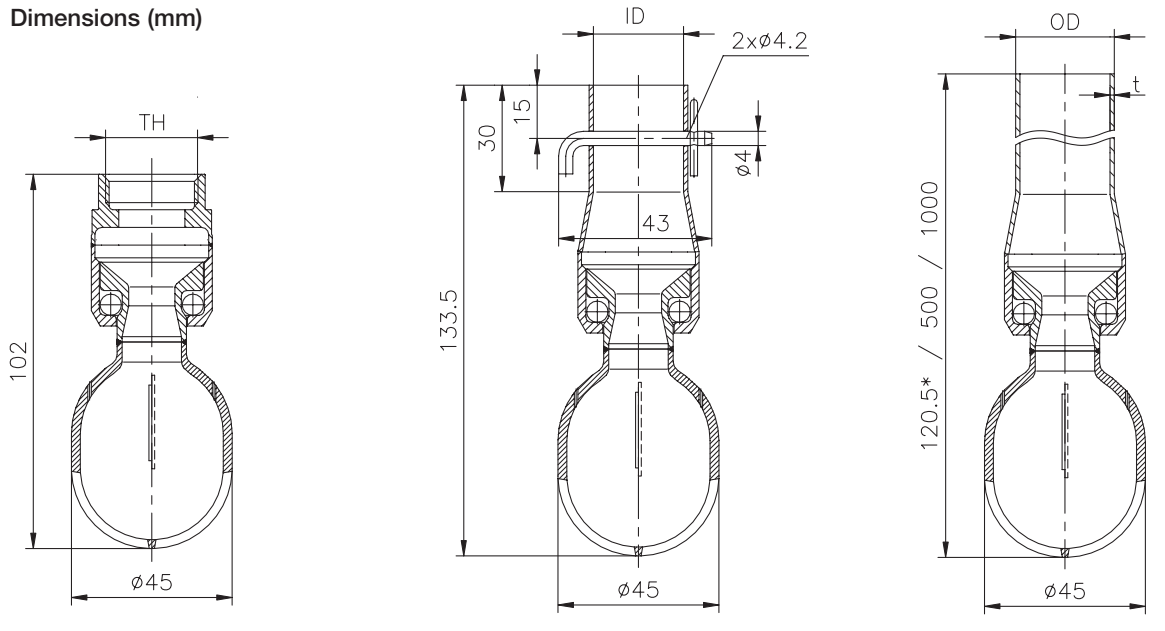
**Flow Rate**



**Cleaning Radius**



**Dimensions (mm)**



**TH**

1/2" BSP
3/4" BSP
1/2" NPT
3/4" NPT

**ID**

ISO:	ø25.3
US:	ø25.7
DIN Reihe 1:	ø28.3
DIN Reihe 2:	ø29.3

**OD x t**

**Welded on pipe**

1" ISO:	ø25 x 1.2
---------	-----------

**Weld end\***

1" ISO:	ø25 x 1.2
NW25DIN:	ø29 x 1.5

### Ordering

Please specify desired spray pattern, required connections, material selection and type of certification required. Please also confirm the application suitability.

### Options

- Downpipes with Tri-Clamp and flange connections
- Electropolishing